

Thermal Devices' RV Series Single Phase DIN Rail Mount Relays

FEATURES/BENEFITS

- Superior Surge Survival™ technology
- 25 or 40 amp ratings
- 575 or 660Vac max.
- Integrated heat sink
- LED input indicator
- Fin to fin mounting, no spacing required between units
- Direct copper bonded SCRs
- Meets EN60947-4-3 and EN50111
- UL recognized, CSA listed



SPECIFICATIONS

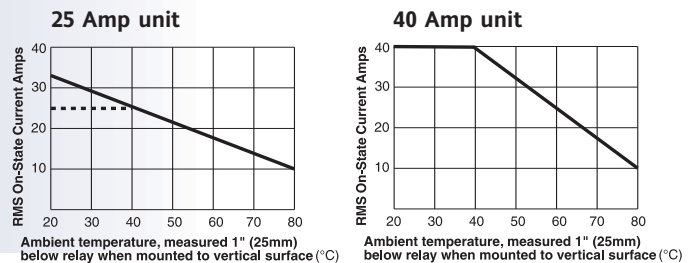
Load type:	Resistive
Input:	
RVDA-DC Input:	ON ≥ 4Vdc/3.5mA, 32Vdc/8mA max, current limited OFF ≤ 1Vdc
RVAA-AC Input:	ON ≥ 100V, 280Vac max., 9-25mA OFF ≤ 20Vac/2mA, 10kΩ impedance
Output:	
Current ratings:	25 or 40 Amps
Voltage ratings:	5V-24V to 575V max. (internal MOV), 6V-24V to 660V max.
Frequency:	47-63Hz
Voltage drop:	25A-1.0Vac, 40A-1.2Vac
Pt rating:	1350 A ² sec
Leakage:	10mA max.
Holding current:	100mA
Peak blocking voltage:	1400V
Offstate dVdT:	1000V/μsec
Turn on/off time:	< 8.3ms @ 60Hz
Operating temperature:	0°C to 40°C (up to 80°C with derating)

See Page 2 for fuses and fuse holders

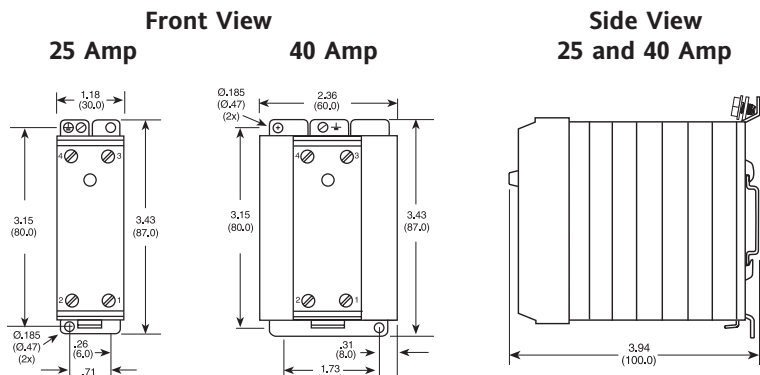
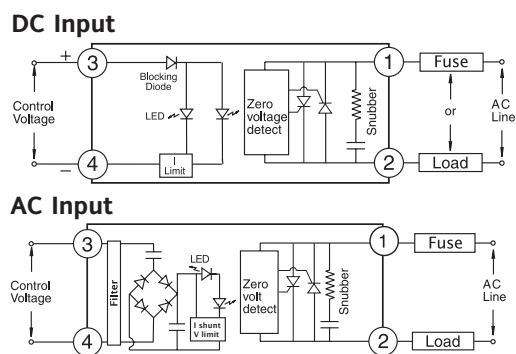
ORDERING CODES

Model	Rating
RVDA	DC input
RVAA	AC input
5V25	575V 25 amp
6V25	660V 25 amp
5V40	575V 40 amp
6V40	660V 40 amp

DERATING CURVES



SCHEMATIC/DIMENSIONS



Thermal Devices' Semiconductor Fuses & Fuse Holders

FEATURES/BENEFITS

- Touch safe design - No exposed contacts
- DIN rail mount (35mm)
- Excellent for switchboard panel, control consoles and similar applications
- Handle/fusepuller to install and remove fuses easily
- Available in single and 3 pole configurations
- UL recognized
- CSA listed



Use the solid state relay fuse code to select the correct fuse and fuse holder, or replacement fuse. Protecting solid state relays from short circuit conditions is the main job of an I²T semiconductor fuse, not providing overload protection. Continental Industries' recommended fuses have been selected to provide the best match of short circuit protection over a wide range of operating voltages and ambient temperatures. Applying overload protection is specific to every application. Always consult applicable electrical codes for guidance in selecting an appropriate "overload protection" device, fuse, or circuit breaker.

For a complete document on the application and installation of solid state relays, please contact technical support at 800-282-9100 or e-mail sales@thermaldevices.com

FUSE SELECTOR CHART

Semiconductor Fuse Replacements & Accessories			Used with:
External:	Fuse and Fuse Holder		
	FUSE-KIT-14-010	10 AMP	SV Series
	FUSE-KIT-14-025	25 AMP	SV, RV Series
	FUSE-KIT-14-330	30 Amp/3 phase/3pole	RS 3 Phase
	FUSE-KIT-14-040	40 AMP	RV25, RV40, SV50
	FUSE-KIT-14-050	50 AMP	SV50
	FUSE-KIT-22-063	63 AMP	RS50
	FUSE-KIT-22-075	80 AMP	SV75
	FUSE-KIT-22-100	100 AMP	RS75, RS100
Fuse only (I ² T fuse)			
Internal fuses ⁽¹⁾ :	FUSE-SEMIBR-63A	63 AMP	RS50
	FUSE-SEMIBR-100	100 AMP	RS75, RS100
External fuses ⁽²⁾ :	FUSE-EXT-14-010	10 AMP	SV Series
	FUSE-EXT-14-025	25 AMP	SV, RV Series
	FUSE-EXT-14-030	30 AMP	RS 30 Amp/3Phase
	FUSE-EXT-14-040	40 AMP	RV40, SV50
	FUSE-EXT-14-050	50 AMP	SV50
	FUSE-EXT-22-063	63 AMP	RS50
	FUSE-EXT-22-075	80 AMP	SV75
	FUSE-EXT-22-100	100 AMP	RS75, RS100
Fuse Holders Only			Dimensions H x W x D in (mm)
	FUSE-HLDR-14-01	10-50 AMP	3.74 x 1.02 x 3.38 (95 x 26 x 86)
	FUSE-HLDR-22-01	75-100 AMP	5.51 x 1.38 x 3.54 (140 x 35 x 90)
	FUSE-HLDR-14-03	30 AMP/3 PHASE	3.74 x 3.11 x 3.38 (95 x 26 x 86)
Handle (Gang3)	FUSE-3HANDLE-00	30 AMP/3 PHASE	

Notes:

(1) The internal fuses are used in the RS family of 50, 75, and 100 Amp relays. Due to local electrical codes or due to thermal stress on the fuse, some customers may choose to use the external fuse and fuse holder #FUSE-KIT-22-063 or -100.

(2) The external fuses are 14mm diameter x 51 mm long or 22mm diameter x 58mm long.

Contact Continental Industries for the internal bus bar, -B00 option.