

Cartridge Heaters



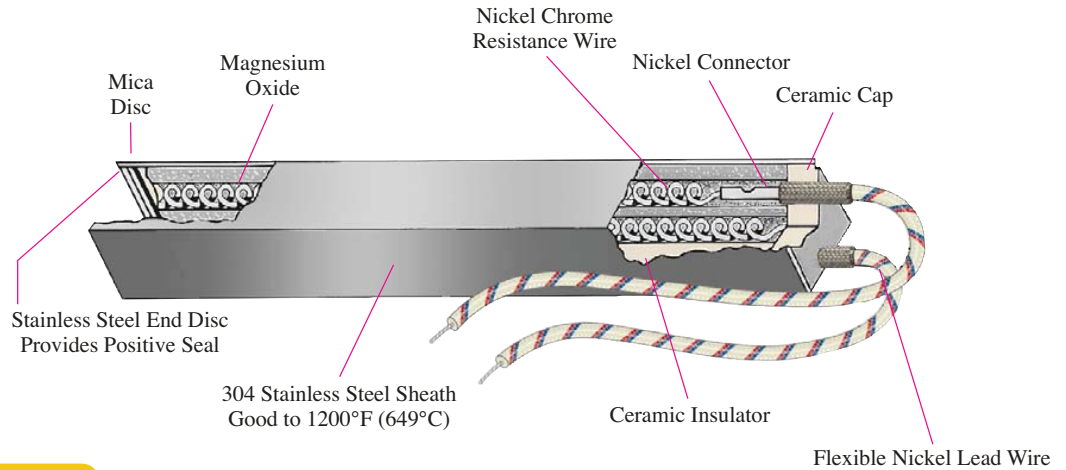
Low Density Square

TEMPCO Low Density Square Cartridge Heaters allow more contact per linear inch than cylindrical cartridge heaters, for greater heat transfer to the surrounding medium. Inserted in a milled slot they permit greater heater lengths than would be possible with a drilled hole.

Typical Applications

- * Bag Sealing
- * Plastic Forming Bars
- * Heating of Long Platens
- * Cutting Jaws

LOW DENSITY SQUARE CARTRIDGE HEATERS



DIMENSIONAL SPECIFICATIONS

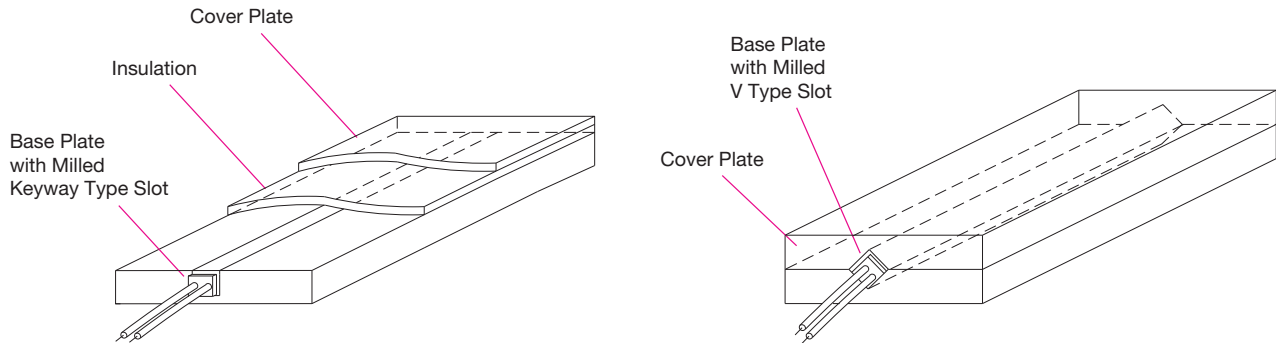
Nominal Size (in)	3/16	1/4	3/8	1/2	5/8
Actual Size (in)	.185	.246	.370	.496	.621
Actual Size (mm)	(4.70)	(6.25)	(9.40)	(12.60)	(15.77)
Size Tolerance	±.002 (.051 mm)				
Length Tolerance	± 1/16" (1.59 mm) up to 6" long; ± 1/8" (3.18 mm) over 6" long				
Camber Tolerance	.010" (0.254 mm) per foot of length				

ELECTRICAL SPECIFICATIONS

Nominal Size (in)	3/16	1/4	3/8	1/2	5/8
Maximum Voltage	120	240	240	240	480*
Maximum Amperage	2	3.5	6	10	10
Maximum Wattage	240	840	1440	2400	4800
Wattage Tolerance	Plus 5%, Minus 10%				
Resistance Tolerance	Plus 10%, Minus 5%				

*480V when applicable — Consult Tempco

Suggested Installation





Cartridge Heaters

Low Density Square

Low Density Square Cartridge Heater Terminations

 <p>Type F – Standard Flexible Leads</p> <p>Standard termination for Square Cartridge Heaters. Leads are internally connected. Sharp bending of the lead wire is possible where it exits the heater. 3/16" and 1/4" heaters use Teflon® insulated wires. 3/8", 1/2" and 5/8" heaters use 482°F (250°C) rated fiberglass insulated lead wires. 10" leads are standard.</p> <p>If longer leads are required, specify.</p>	 <p>Type W Straight Braided Leads</p> <p>Abrasion resistant while still allowing sharp bending that is not possible with armor cable. 10" of stainless steel wire braid over 12" leads is standard.</p> <p>If longer leads and braid are required, specify.</p>	 <p>Type W1 Right-Angle Braided Leads</p> <p>Abrasion resistant while still allowing sharp bending that is not possible with armor cable. 10" of stainless steel wire braid over 12" leads is standard.</p> <p>If longer leads and braid are required, specify.</p>
 <p>Type C1 Straight Armor Cable</p> <p>Abrasion resistant. 10" of galvanized cable over 12" leads is standard.</p> <p>If longer leads and cable are required, specify.</p>	 <p>Type C3 Right-Angle Armor Cable</p> <p>Abrasion resistant. 10" of galvanized cable over 12" leads is standard.</p> <p>If longer leads and cable are required, specify.</p>	 <p>Type R3 Angled Sheath Extension</p> <p>Sheath extension is potted with cement. 10" leads standard. If longer leads are required, specify. Wire braid or armor cable can be applied for lead wire protection. If lead protection is required, specify.</p>
 <p>Type S1 Straight Spring</p> <p>Flex resistant 2-1/2" long spring with 10" leads standard.</p> <p>If longer leads are required, specify.</p>	 <p>Type S3 Lead Wire Strain Relief</p> <p>Flex resistant "T" type strain relief with 10" leads standard.</p> <p>If longer leads are required, specify.</p>	 <p>Type T3 Double End Screw Terminal</p> <p>Available on 1/2" and 5/8" heaters. Thread is 8-32 by 3/4" long.</p>

Low Density Square Cartridge Heater Additional Optional Features

Distributed Wattage

Special wattage concentration for even heat distribution.

Cold Section

Specify location and length.

Full Length Silicone Rubber Coated Fiberglass Sleaving

Internal Thermocouple
(N/A on 3/16" heaters)

Specify thermocouple type, grounded or ungrounded junction and location.

Consult TEMPCO...

For any additional options your application may require.