

Temperature Controllers



Models TEC-402 & TEC-401 1/4 DIN

Models TEC-402 & TEC-401 1/4 DIN Temperature Controllers



With Process Temperature Deviation Meter!



Low Cost Non-Indicating Control!

Design Features

- * 1/4 DIN size – 96 mm × 96 mm
- * Model TEC-402 temperature control with deviation meter
- * Model TEC-401 non-indicating temperature control
- * Laser trimmed ASIC components
- * Short panel depth – only 2.0" (51 mm) required
- * On-off or time proportional selection
- * Wide selection of output options
- * Potentiometer setpoint
- * Sensor break protection
- * Good performance at a very low price

Agency Approval:

With Deviation Meter

Hardware Code: TEC-402-

A Part Number based on the hardware code and any software pre-programming will be issued at time of order.

Standard lead time is stock to 2 weeks.

Non-Indicating

Hardware Code: TEC-401-

A Part Number based on the hardware code and any software pre-programming will be issued at time of order.

Standard lead time is stock to 2 weeks.

Power Input BOX 1

3 = 100-130 VAC, 50/60 Hz or 200-240 VAC, 50/60 Hz

Control Mode BOX 4

1 = On - Off (used for valves & solenoids)
2 = Proportional (common for electric heaters)

Communication BOX 8

0 = Not Available

Signal Input BOX 2

1 = Thermocouple: Type J
2 = Thermocouple: Type K
3 = RTD: 100 ohm PT, DIN 0.00385
4 = RTD: 100 ohm PT, JIS 0.00392
9 = Other

Output 1 BOX 5

1 = Relay: 5A / 240 VAC
2 = Pulse DC for SSR drive: 20 VDC (20 mA max)
3 = 4-20 mA, linear (max load 500 ohms)
4 = 0-20 mA, linear (max load 500 ohms)
5 = 0-10 VDC, linear (min. impedance 500K ohms)
9 = Other

Standard Range Code BOX 3

4 = 0 to 300°C **C** = 50 to 550°F
6 = 0 to 600°C **E** = 50 to 850°F

Below available for large volume orders. Consult Tempco for more information.

2 = 0 to 100°C **A** = 50 to 200°F
3 = 0 to 200°C **B** = 50 to 400°F
5 = 0 to 400°C **D** = 50 to 750°F
7 = 0 to 800°C **F** = 50 to 1100°F
8 = 0 to 1200°C **G** = 50 to 1400°F
9 = Other **H** = 0 to 2200°F

Output 2 BOX 6

0 = Not Available

Alarm (TEC-402) only BOX 7

0 = None
1 = Relay: 3A / 240 VAC deviation alarm

Power Input

100 - 130 VAC, 50/60 Hz, 5VA
200 - 240 VAC, 50/60 Hz, 5VA

Signal Input

Thermocouple: Type J or K
RTD: 3-wire Pt100 DIN or JIS
Sampling Rate: 3 samples per second
Accuracy: $\pm 2\%$ of span
Cold Junction Compensation: $\pm 0.1^\circ\text{C} / 1^\circ\text{C}$
Common Mode Rejection Ratio (CMRR): 120 dB
Normal Mode Rejection Ratio (NMRR): 60 dB
Sensor Break Protection: Upscale

Output 1

Relay Rating: 5 Amp, 240 VAC
SSR drive: Pulsed DC, 20 V at 20 mA maximum
Current Loop: 4 - 20 mA, 0 - 20 mA, maximum load: 500 Ω
Voltage: 0 - 10 VDC, minimum load 500 K Ω

Control

Proportional Band: 2.2% of span
ON-OFF Hysteresis: 1% of span
Cycle time: 20 seconds for relay output, 1 second for pulsed voltage output, 0.02 second for linear current or voltage output
Control Action: Reverse Action

Approval Standards

Safety Standard: EN61326
Protective Class: Front panel: IP 30
Housing and Terminals: IP 20

Adjustment

Setpoint: Single turn wirewound potentiometer
Setpoint Resolution: 0.2% of span
Accuracy of Setpoint: $\pm 2\%$ of span
Repeatability of Setpoint: $\pm 0.1\%$ of span

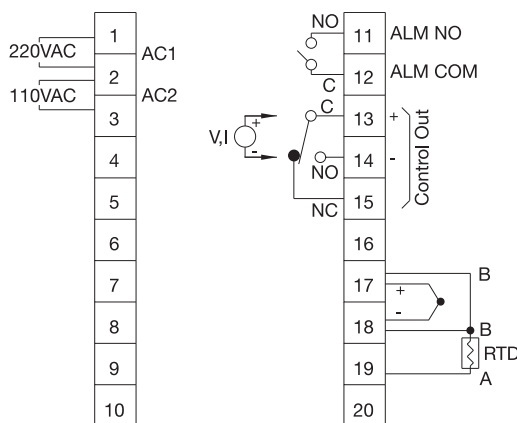
Display

Deviation meter: $\pm 10\%$ of scale (TEC-402)
Non-Indicating (TEC-401)

Environmental and Physical

Operating Temperature: 32 to 122°F (0 to 50°C)
Humidity: 0 to 90% RH, non-condensing
Dielectric Strength: 2000 VAC, 50/60 Hz for 1 minute
Vibration: 10 - 55 Hz, amplitude 1 mm
Shock: 200 m/s² (20g)
Dimensions: 3-3/4 × 3-3/4 × 2-9/16" (96 × 96 × 65 mm) H×W×D
Depth behind panel: 2" (53 mm)
Panel Cutout: 3-5/8" × 3-5/8" (92 × 92 mm) H×W
Weight: 0.79 lb. (360 grams)

Rear Terminal Connections



(For TEC-401 Pins 11 and 12 are not used)

With Deviation Meter TEC-402 Stock and Common Part Numbers (Proportional mode)

Part Number	Signal Input	Range	Output	Alarm
TEC57201	J tc	50-850°F	relay	none
TEC57202	J tc	50-550°F	relay	none
TEC57203	K tc	50-850°F	relay	none
TEC57204	K tc	50-550°F	relay	relay
TEC57205	RTD	50-550°F	relay	none
TEC57206	J tc	0-300°C	relay	none
TEC57207	J tc	0-600°C	relay	none
TEC57208	K tc	0-300°C	relay	none
TEC57209	K tc	0-600°C	relay	none

Non-Indicating TEC-401 Stock and Common Part Numbers (Proportional mode)

Part Number	Signal Input	Range	Output
TEC57101	J tc	50-850°F	relay
TEC57102	J tc	50-550°F	relay
TEC57103	K tc	50-850°F	relay
TEC57104	K tc	50-550°F	relay
TEC57105	RTD	50-550°F	relay
TEC57106	J tc	0-300°C	relay
TEC57107	J tc	0-600°C	relay
TEC57108	K tc	0-300°C	relay
TEC57109	K tc	0-600°C	relay