

Temperature Controllers



Model TEC-9300 1/16 DIN

Model TEC-9300 1/16 DIN Temperature Controller

Design Features

- * 1/16 DIN size – 48 mm × 48 mm
- * Fuzzy Logic PID heat and cool control
- * PID Control – Auto-tuning on cold or warm start
- * Short panel depth – only 3" (75 mm) required
- * Universal programmable sensor input
- * Heater Break Alarm using 0-50 Amp current transformer
- * Output 2 can be programmed as output or alarm
- * NEMA 4X / IP65 gasketed front panel
- * Alarm 1 – programmable NO or NC relay
- * Universal input power, 90-264 VAC or 11-26 VAC/VDC
- * Bumpless transfer to manual mode during sensor failure
- * Power limiter output
- * Wide variety of alarm mode selections
- * RS-485 and RS-232 data communications interface
- * Bright 0.40" (10 mm) red LED process display, 0.31" (8 mm) green LED setpoint display
- * Fast input sample rate (5 samples/second)
- * Automatic programming
- * Differential control
- * "Soft-Start" ramp and dwell timer
- * Analog input for remote setpoint and current transformer
- * Event input for changing functions and setpoint
- * Hardware lockout plus remote lockout protection
- * Loop break alarm
- * Analog retransmission
- * DC power supply outputs
- * Tempco's most highly featured 1/16 DIN control



Configurable with 4 Programmable Outputs and Standard NEMA 4X/IP65 Front Panel!



The TEC-9300 is also available with a black faceplate.

Agency Approvals: RoHS



Hardware Code: TEC-9300- 1 2 3 4 5 6

A Part Number based on the hardware code and any software pre-programming will be issued at time of order.

Standard lead time is stock to 2 weeks.

Power Input BOX 1

- 4 = 90-264 VAC
- 5 = 11-26 VAC / VDC
- 9 = Other

Signal Input – Universal, can be programmed in the field BOX 2

- 1 = Input 1 – Universal input (factory default = tc type J)
Thermocouple: J, K, T, E, B, R, S, N, L
RTD: PT100 DIN, PT100 JIS
Current: 4-20 mA, 0-20 mA
Voltage: VDC, 0-1, 0-5, 1-5, 0-10
- Input 2 – CT: 0 - 50A AC current Transformer (factory default)
Linear Input: 0-1V, 0-5V, 1-5V, 0-10V, 0-20mA, 4-20mA
- Input 3 – Event Input, not available if RS-232 is specified
- 9 = Other

Output 1 BOX 3

- 1 = Relay: 2A / 240 VAC
- 2 = Pulse DC for SSR drive: 5 VDC (30 mA max)
- 3 = Isolated, 4-20 mA (default), 0-20 mA
- 4 = Isolated, VDC, 1-5 (default), 0-5, 0-1
- 5 = Isolated, VDC, 0-10
- 6 = Triac-SSR output 1A / 240 VAC
- C = Pulse DC for SSR drive: 14 VDC (40 mA max)
- 9 = Other

Output 2 / Alarm 2 BOX 4

- 0 = None
- 1 = Relay: 2A / 240 VAC
- 2 = Pulse DC for SSR drive: 5 VDC (30 mA max)
- 3 = Isolated, 4-20 mA (default), 0-20 mA
- 4 = Isolated VDC, 1-5 (default), 0-5, 0-1
- 5 = Isolated VDC, 0-10
- 6 = Triac-SSR output 1A / 240 VAC
- 7 = Isolated 20V @ 25 mA DC, Output Power Supply
- 8 = Isolated 12V @ 40 mA DC, Output Power Supply
- 9 = Isolated 5V @ 80 mA DC, Output Power Supply
- C = Pulse DC for SSR drive: 14 VDC (40 mA max)
- A = Other

Alarm 1 BOX 5

- 0 = None
- 1 = Relay: 2A / 240 VAC (NO)
- 2 = Relay: 2A / 240 VAC (NC)
- 9 = Other

Communications BOX 6

- 0 = None
- 1 = RS-485 Interface
- 2 = RS-232 Interface
- 3 = Retransmission 4-20 mA (default), 0-20 mA
- 4 = Retransmission 1-5 VDC (default), 0-5 VDC
- 5 = Retransmission 0-10 VDC
- 9 = Other

Transformer for Heater Break Alarm

(0-50 Amp current)

Part Number: TEC99999

Specifications on page 13-47



Note: Detailed information on features common to digital microprocessor-based TEC temperature controls and the complete Table of Input Range and Accuracy can be found on page 13-46.

Power Input

Standard: 90-264 VAC, 47-63 Hz, 15 VA, 7W maximum
Optional: 11-26 VAC / VDC, 15 VA, 7W maximum

Signal Input

Input 1

Resolution: 18 bits **Sampling Rate:** 5 samples / second
Accuracy: ±.24% of span typical
Maximum Rating: -2 VDC minimum, 12 VDC maximum (1 minute for mA input)

Temperature Effect: ±1.5 $\mu\text{V} / ^\circ\text{C}$ for all inputs except mA input
 input ±3.0 $\mu\text{V} / ^\circ\text{C}$ for mA input

Sensor Lead Resistance Effect: T/C: 0.2 $\mu\text{V}/\text{ohm}$
 3-wire RTD: 2.6 $^\circ\text{C}/\text{ohm}$ of resistance difference of two leads
Burn-out Current: 200nA

Common Mode Rejection Ratio (CMRR): 120 dB

Normal Mode Rejection Ratio (NMRR): 55 dB

Sensor Break Detection: Sensor open for TC, RTD and mV inputs;
 sensor short for RTD input; below 1 mA for 4-20 mA input;
 below 0.25V for 1-5V input; unavailable for other inputs

Sensor Break Response Time: Within 4 seconds for TC, RTD and mV inputs; 0.1 second for 4-20 mA and 1-5 V inputs

Input 2

Resolution: 18 bits **Sampling Rate:** 1.66 times per second

Sensor Break Response Time: 0.5 second

Types: **Current Transducer:** 0 to 50 Amp
 mA: -3 to 27 mA V: -1.3 to 11.5 VDC

Input 3

Event Input Functions: Select 2nd setpoint and/or PID, disable output 1 and/or output 2, remote lockout reset alarm 1 and/or alarm 2

Logic Low: -10V min., 0.8V max.

Logic High: 2V min., 10V max.

External Pull-Down Resistance: 400K Ω max

External Pull-Up Resistance: 1.5M Ω min

Output 1 or Output 2 / Alarm 2

Relay Rating: 240 VAC, 2 Amp

Pulsed Voltage: Source voltage 5V, Current limiting resistance 66 Ω

Linear Output — Characteristics

Type	Tolerance	Zero Tolerance	Span Capacity	Load
4-20 mA		3.6-4.0 mA	20-21 mA	500 Ω max
0-20 mA		0 mA	20-21 mA	500 Ω max
0-5 VDC		0 VDC	5-5.25 VDC	10 K Ω min
1-5 VDC		0.9-1.0 VDC	5-5.25 VDC	10 K Ω min
0-10 VDC		0 VDC	10-10.5 VDC	10 K Ω min

Resolution: 15 bit analog to digital converter

Isolation Breakdown Voltage: 1000 VAC

Solid State Relay (Triac) Output

Rating: 1A / 240 VAC **Inrush Current:** 20A for 1 cycle

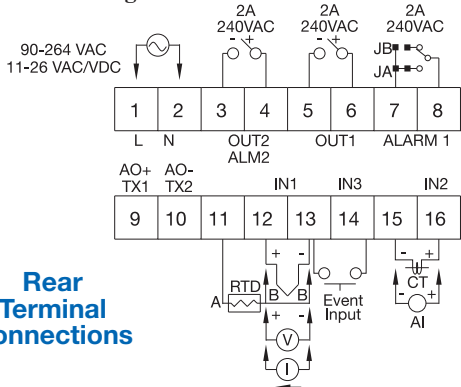
Min. Load Current: 50 mA rms

Max. Off-state Leakage: 3 mA rms

Max. On-state Voltage: 1.5 VAC rms

Insulation Resistance: 1000 Megohms minimum at 500 VDC

Dielectric Strength: 2500 VAC for 1 minute



Rear Terminal Connections

Alarm 1 / Alarm 2

Alarm 1 Relay: Form A, (NO) Maximum rating: 240 VAC, 2 Amp

Alarm 1 Relay: Form A, (NC) Maximum rating: 240 VAC, 2 Amp

Alarm Functions:

Dwell timer PV1-PV2 High / Low Alarm
 Deviation Band High / Low Alarm Loop Break Alarm
 PV2 High / Low Alarm Sensor Break Alarm

Alarm Mode: Normal, Latching, Hold, Latching / Hold

Dwell Timer: 0 - 6553.5 minutes

Data Communications

Interface: RS-232 (1 unit), RS-485 (up to 247 units)

Protocol: Modbus Protocol – RTU mode

User Interface

Dual 4-digit LED Display: 0.40" (10 mm) Red Process Display

Keypad: 3 keys 0.31" (8 mm) Green Setpoint Display

Programming Port: For automatic setup, calibration and testing

Control Mode

Output 1: Reverse (heating) or direct (cooling) action

Output 2: PID cooling control, cooling P band 1-255% of PB

On-Off: 0.1 - 100.0 $^\circ\text{F}$ hysteresis control (P band = 0)

P or PD: 0 - 100.0% offset adjustment

PID: Fuzzy logic modified

Proportional band: 0.1 - 900 $^\circ\text{F}$ (500 $^\circ\text{C}$)

Integral: 0 - 1000 seconds **Derivative:** 0 - 360 seconds

Cycle Time: 0.1 - 100 seconds

Manual Control: Heat (MV1) and Cool (MV2)

Auto-tuning: Cold start and warm start

Failure Mode: Auto-transfer to manual mode with sensor break or A-D converter damage

Ramping Control: 0 - 900 $^\circ\text{F}/\text{min}$ or 0 - 900 $^\circ\text{F}/\text{hr}$ ramp rate

Power Limit: 0 - 100% for output 1 and output 2

Remote Setpoint: Programmable range for voltage or current input

Digital Filter: Time constant: settable from 0.2 to 60 seconds

Analog Retransmission

Analog Retransmission Functions: PV1, PV2, PV1-PV2, PV2-PV1, Setpoint, MV1, MV2, PV-SV deviation value

Output Signal: 4-20 / 0-20 mA, 0-1, 0-5, 1-5, 0-10 VDC

Accuracy: ±0.05 % of span, ±0.0025 $^\circ\text{C}$

Environmental and Physical

Operating Temperature: 14 to 122 $^\circ\text{F}$ (-10 to 50 $^\circ\text{C}$)

Storage Temperature: -40 to 140 $^\circ\text{F}$ (-40 to 60 $^\circ\text{C}$)

Humidity: 0 to 90% RH, non-condensing

Dielectric Strength: 2000 VAC, 50/60 Hz for 1 minute

Dimensions: 2 x 2 x 3-1/2" (51 x 51 x 89 mm) HxWxD
 Depth behind panel: 3" (75 mm)

Panel Cutout: 1-25/32 x 1-25/32" (45 x 45 mm) HxW

Weight: 0.33 lb. (150 grams)

Approval Standards

Safety Standard: UL3121-1 and CSA: C22.2 No. 24-93
 EN61010-1 (IEC1010-1)

Protective Class: **Front panel:** NEMA 4X / IP65
Housing and Terminals: IP 20

EMC: EN61325

Stock and Common Part Numbers

(Power Input: 90-264 VAC, no data com)

Part Number	Signal Input	Out 1	Out 2 / Alarm 2	Alarm 1
TEC13001	tc-J	relay	none	none
TEC13002	tc-J	relay	relay	none
TEC13003	tc-J	4-20 mA	none	none
TEC13004	tc-J	4-20 mA	relay	none
TEC13005	tc-J	DC pulse	none	none
TEC13006	tc-J	DC pulse	relay	none